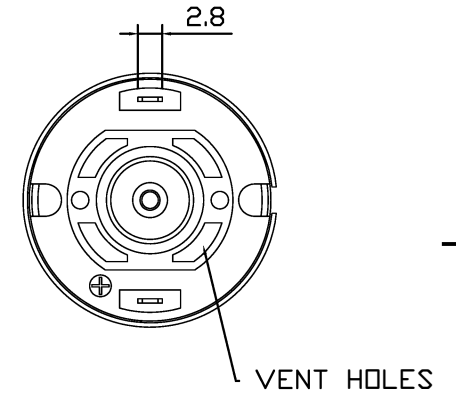
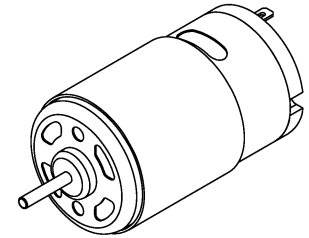
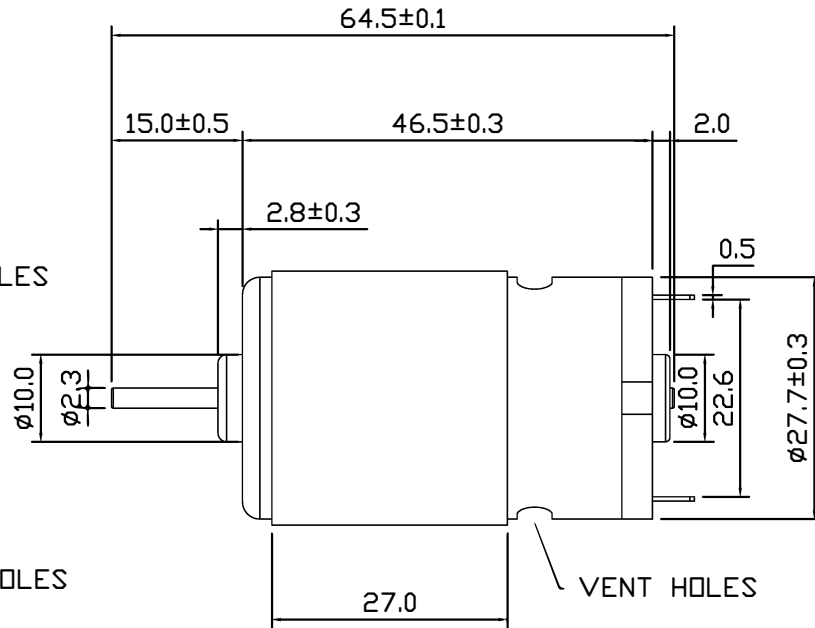
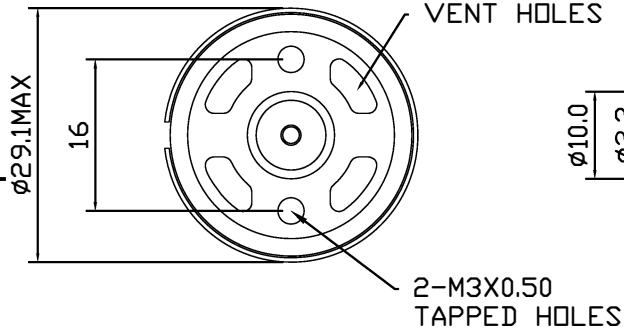


DIRECTION OF ROTATION



MODEL		NO LOAD		AT MAXIMUM EFFICIENCY				
JD28-L006A109		SPEED	CURRENT	SPEED	CURRENT	TORQUE	OUTPUT	EFF
NOMINAL	48.0VDC	RPM	A	RPM	A	mNm	W	%
		4300	0.01	3800	0.08	7.2	2.89	77.5

	THIRD ANGLE PROJECTION	製圖	Adam.Wang	Cheshire Electric Company,LLC	
ALL DIMENSION ARE IN MM (UNLESS OTHERWISE SPECIFIED)		設計	Adam.Wang	Part No	
		審核		JD28-L006A109	
		材料		Name	Qty: size
繪製比例:		完成時間		DC motor	A4